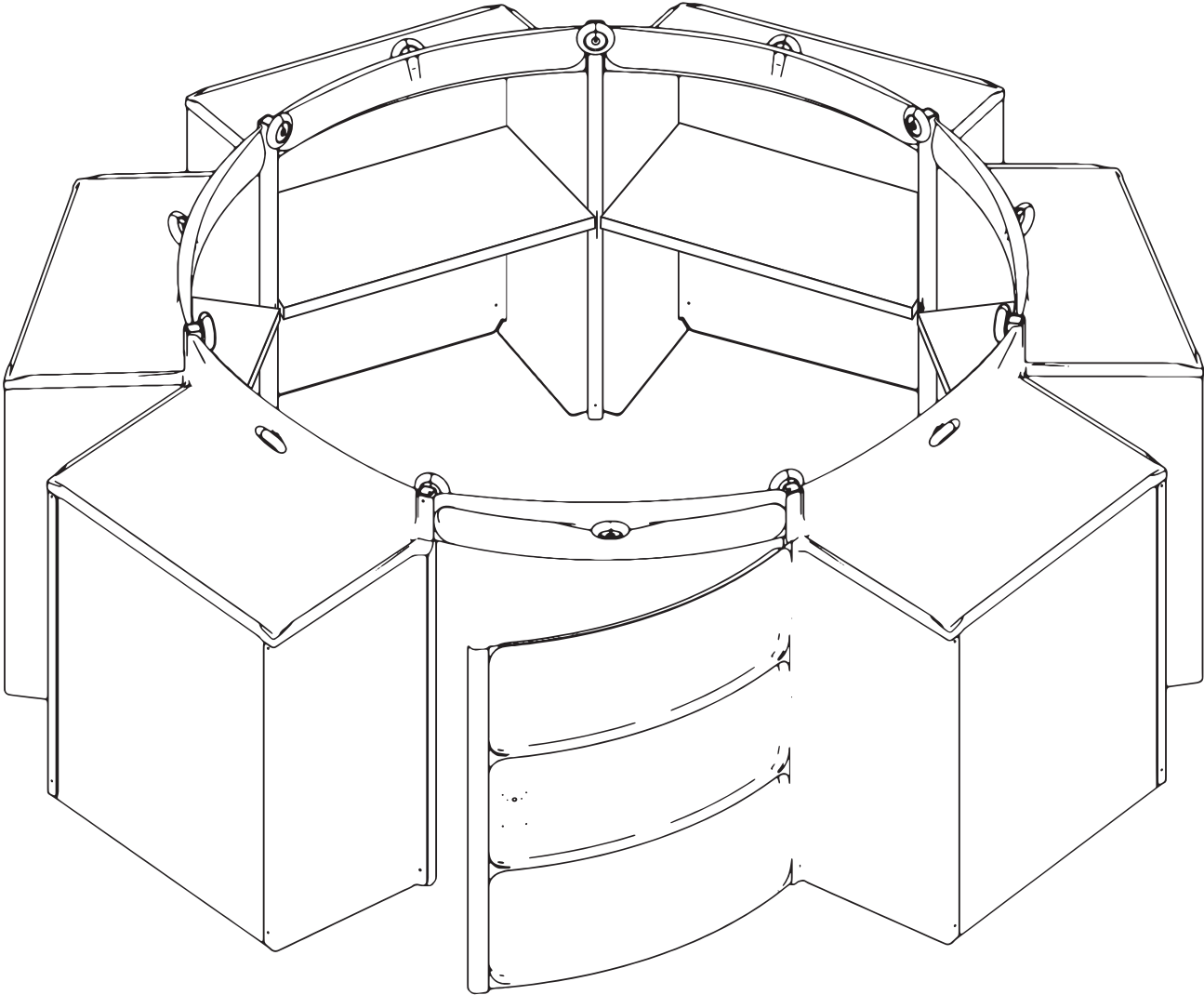


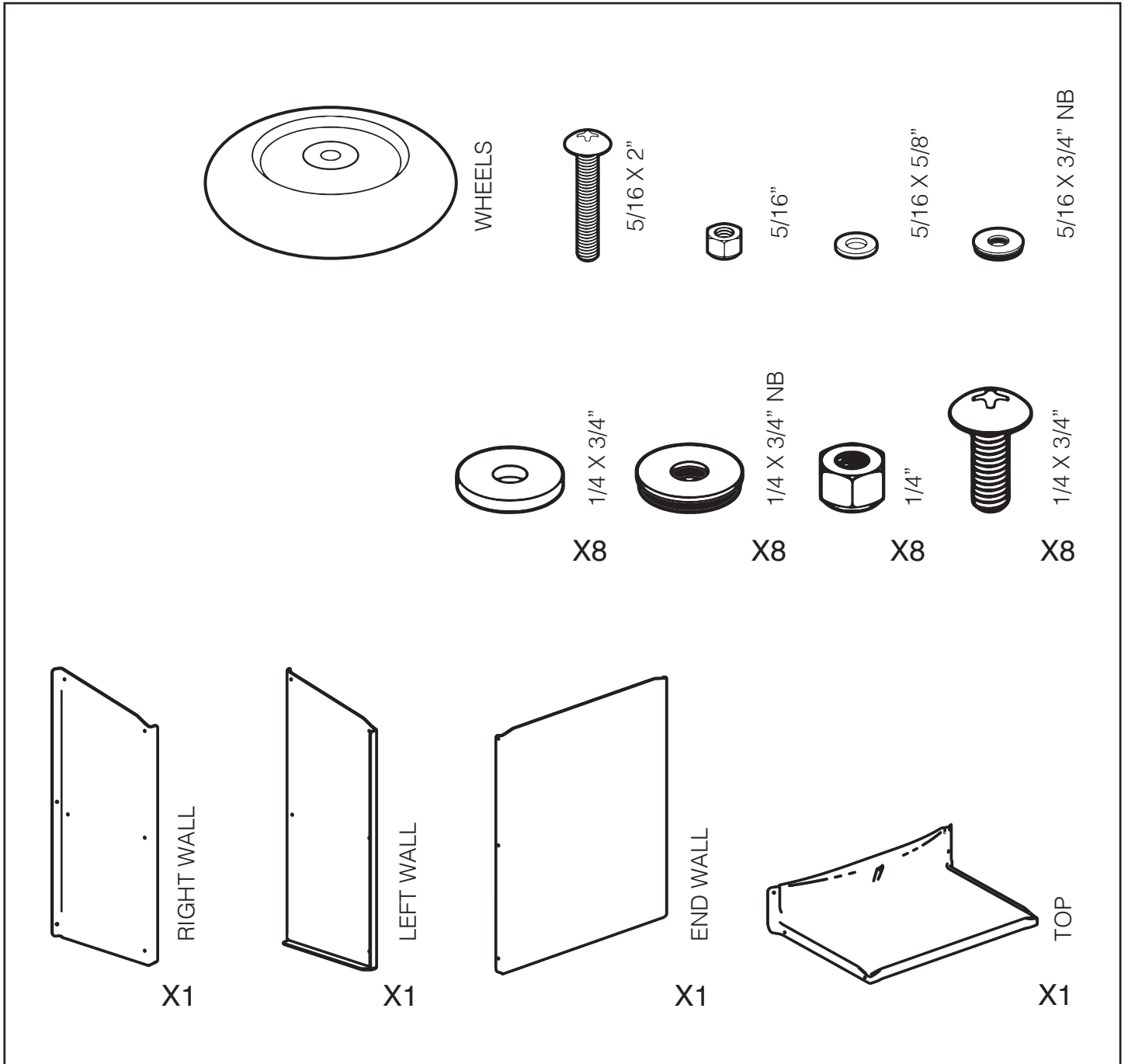
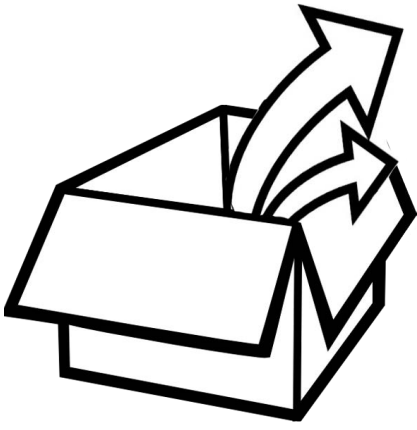
# NexDome

## Bay Assembly Instruction

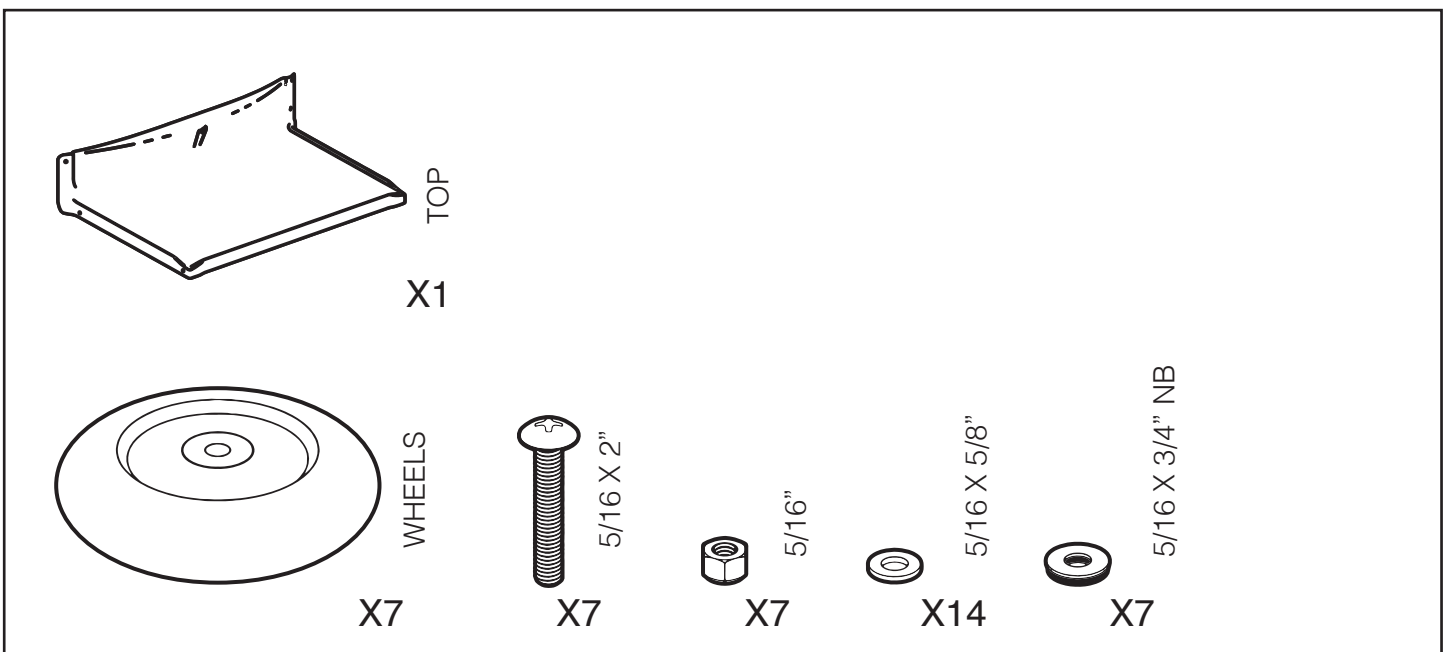
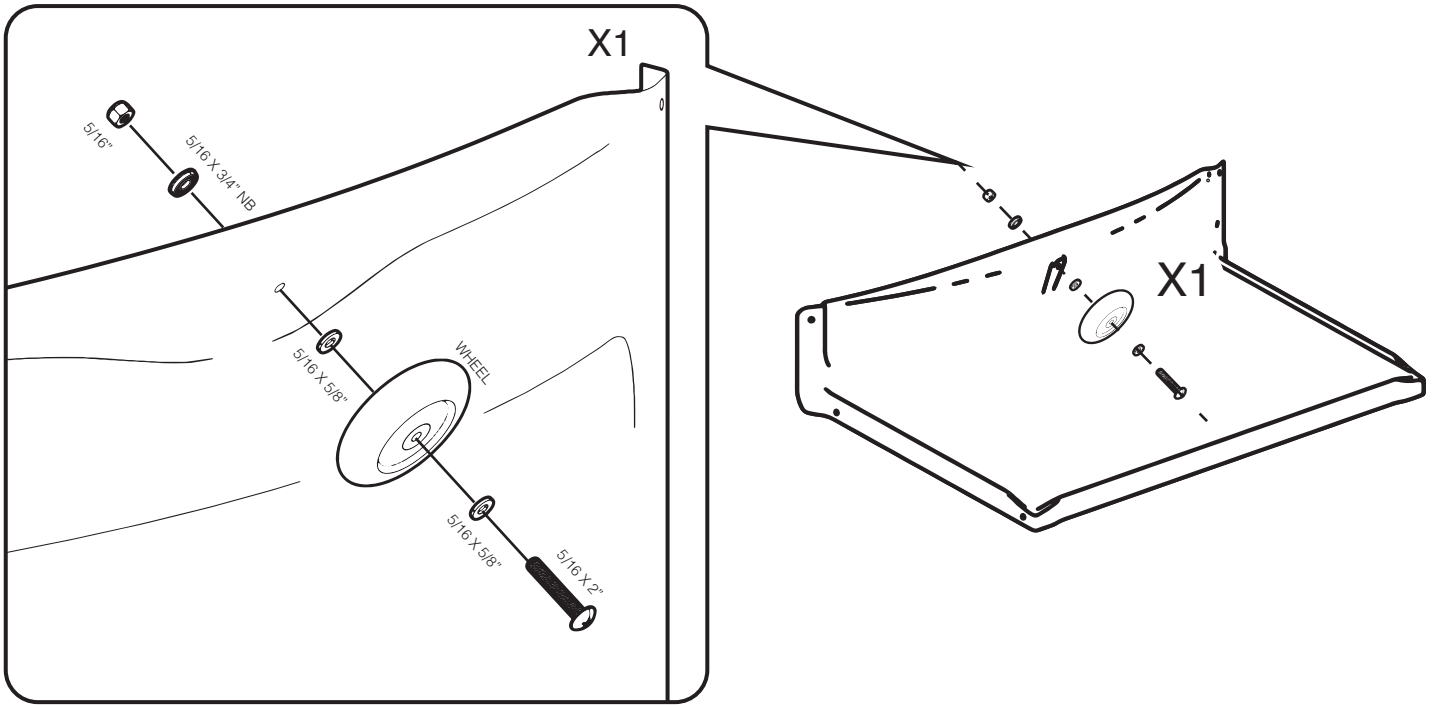


Patent No.:US 9,315,983 B1  
Made in Canada

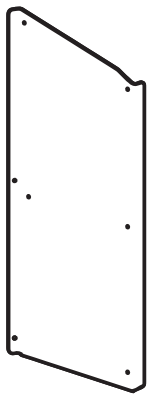
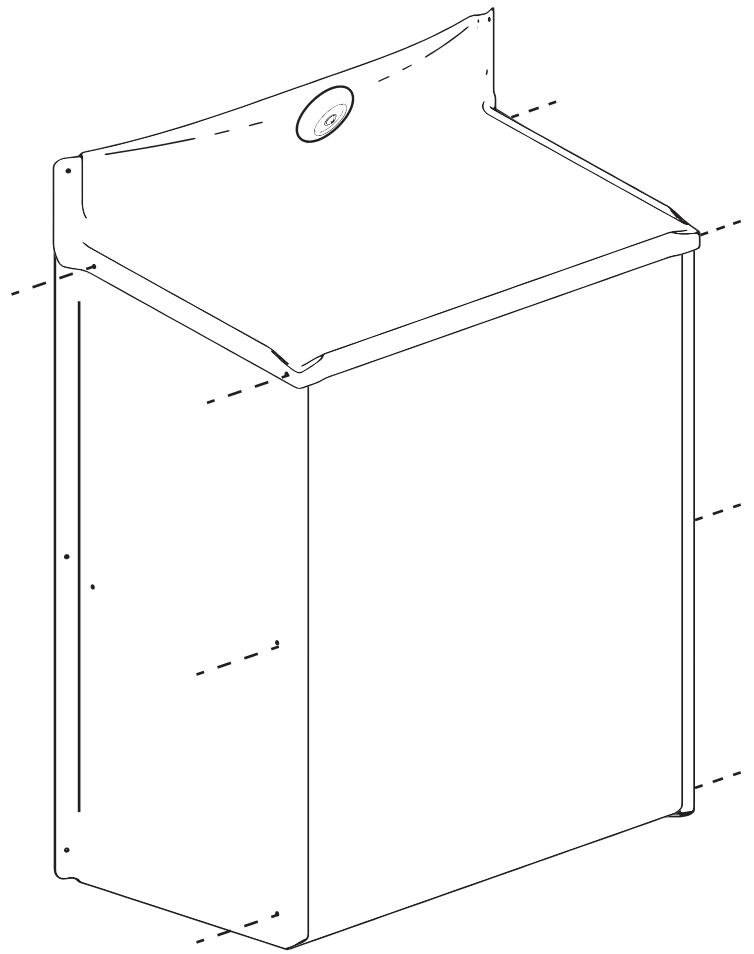
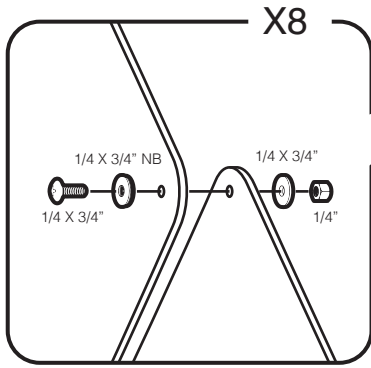




# 1

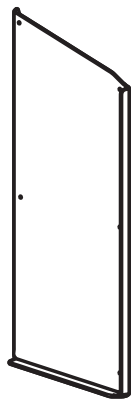


# 2



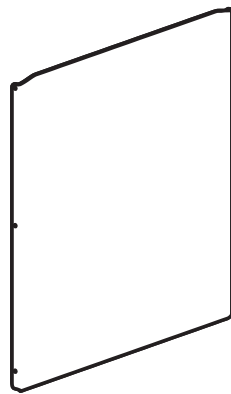
RIGHT WALL

X1



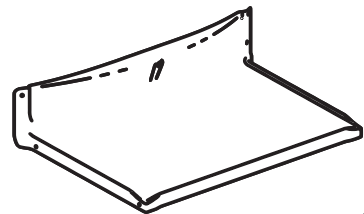
LEFT WALL

X1



END WALL

X1



TOP

X1



1/4 X 3/4"

X8



1/4 X 3/4" NB

X8



1/4"

X8



1/4 X 3/4"

X8