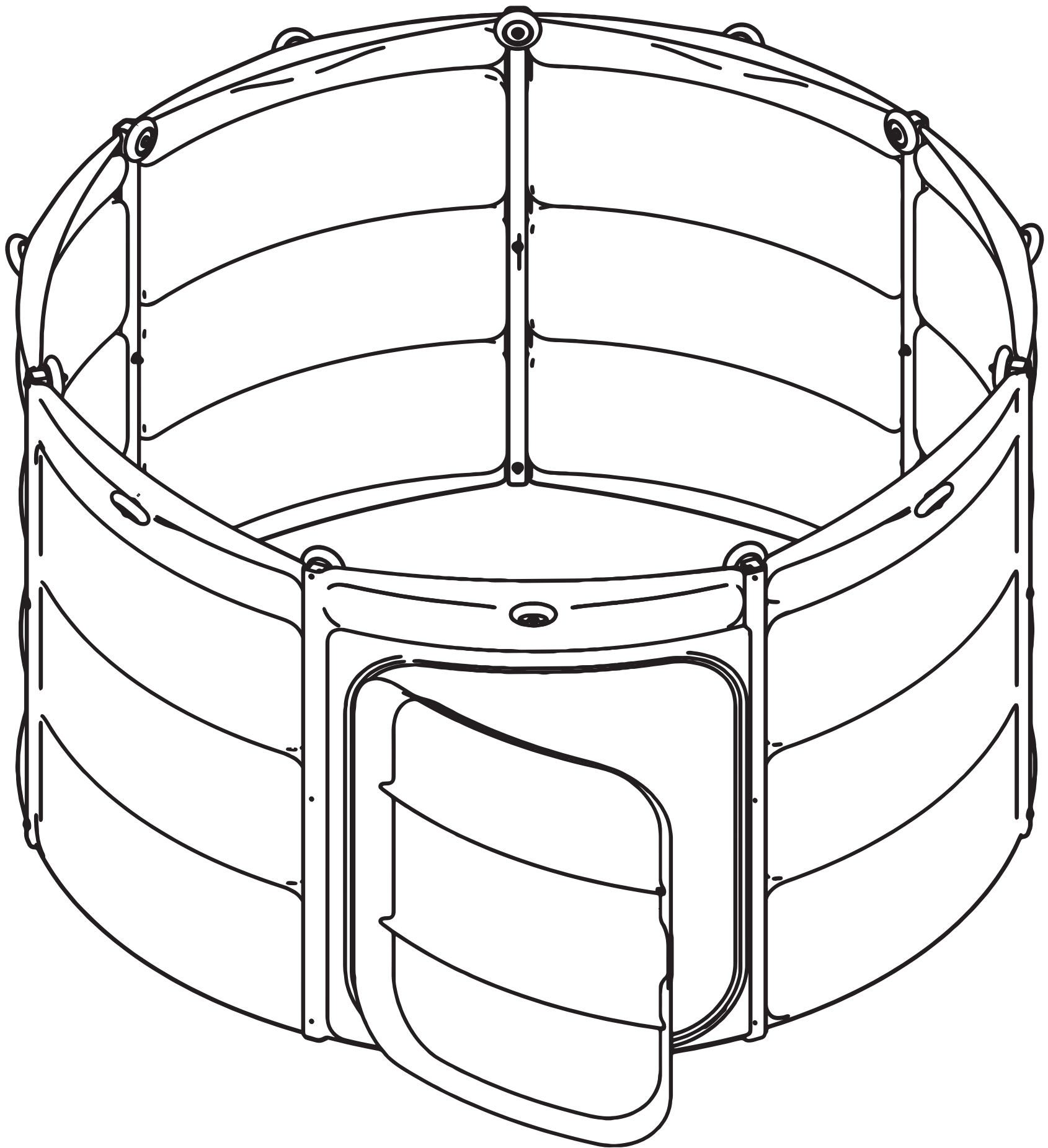
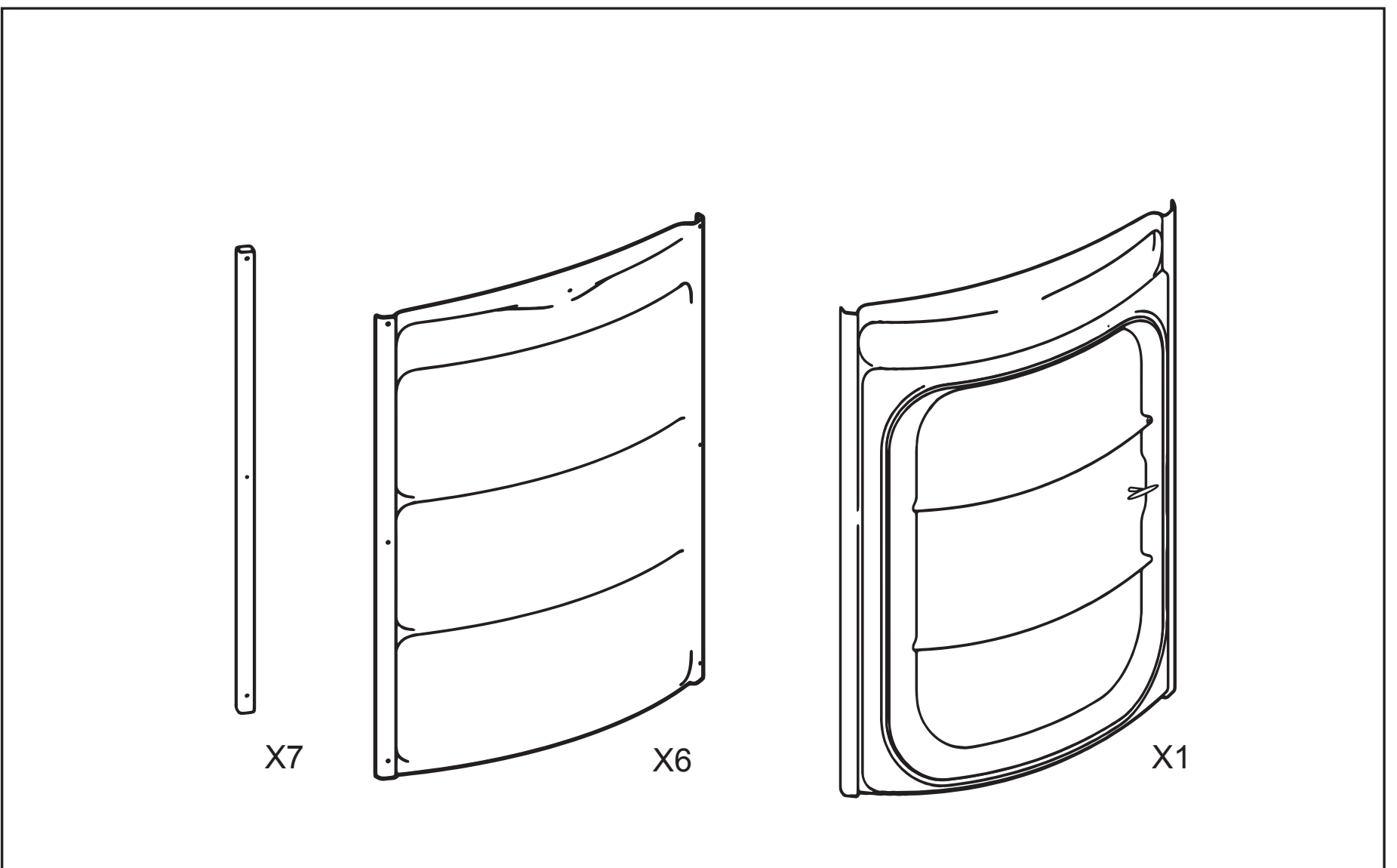
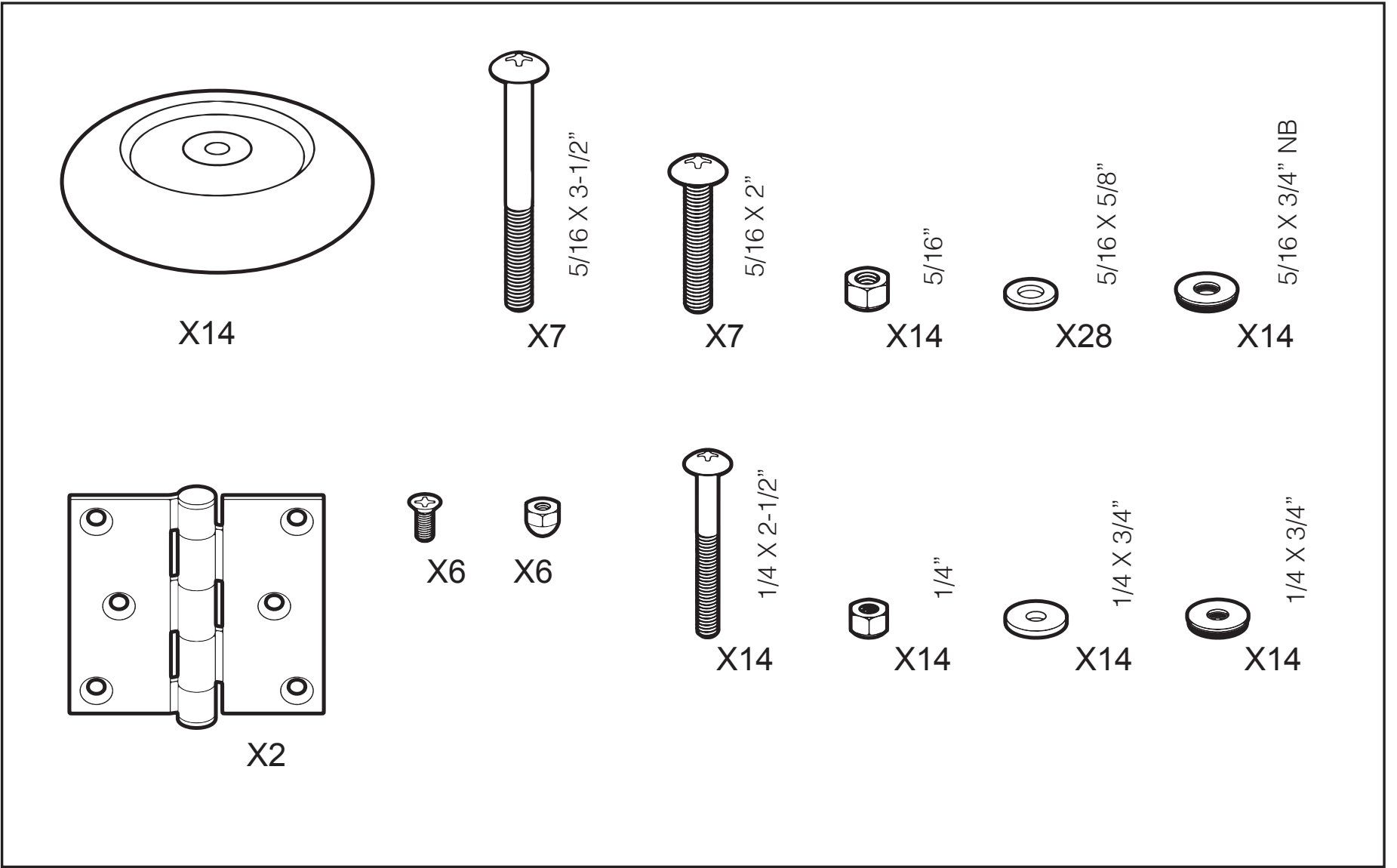
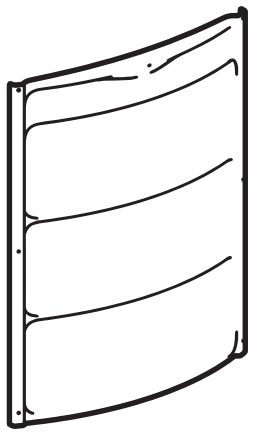
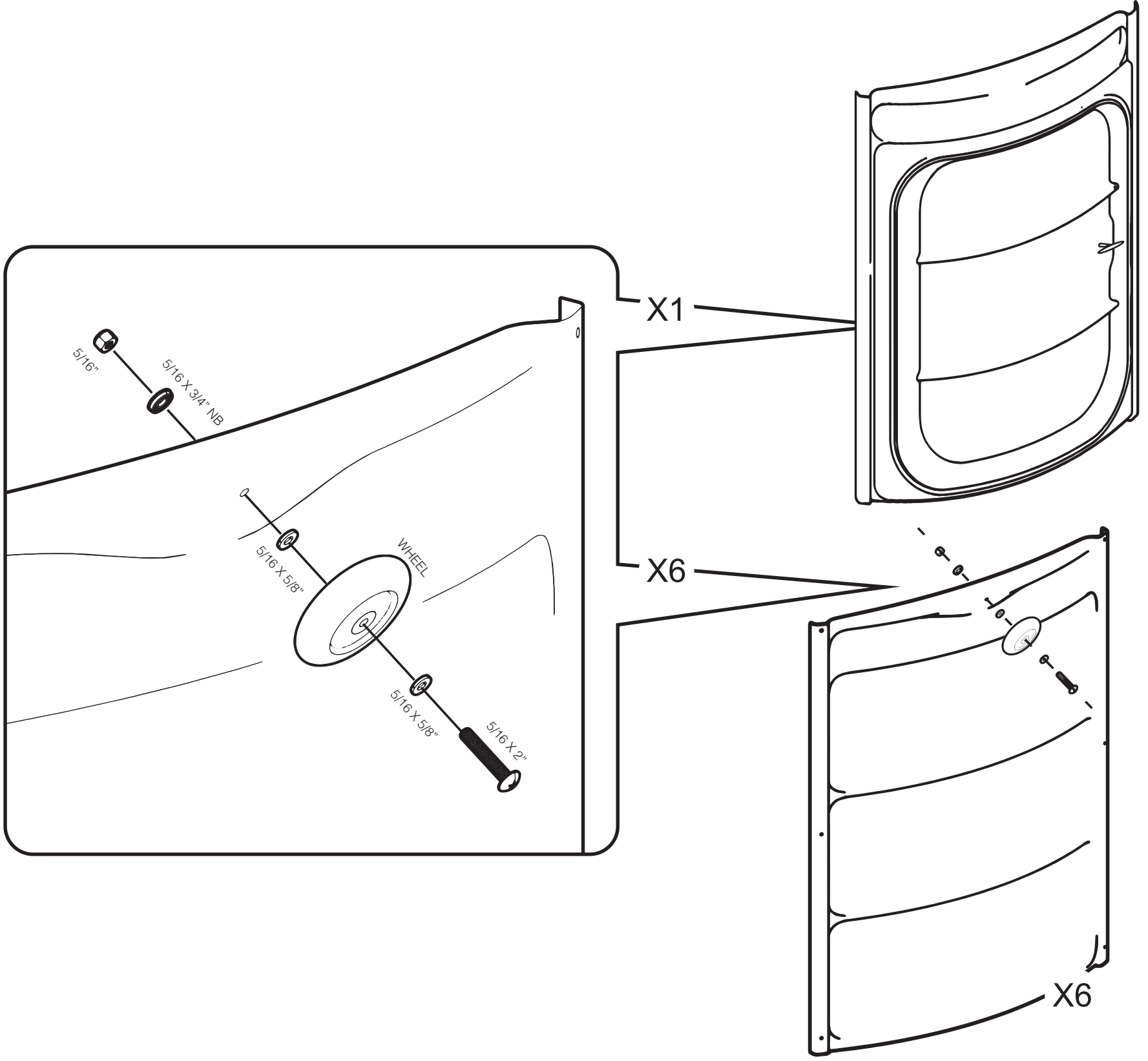


NEXDOME

2.2M (8') OBSERVATORY WALLS

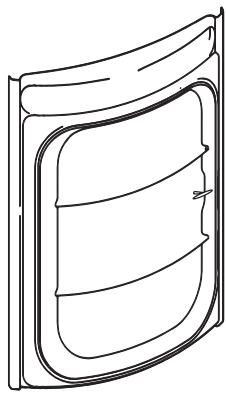






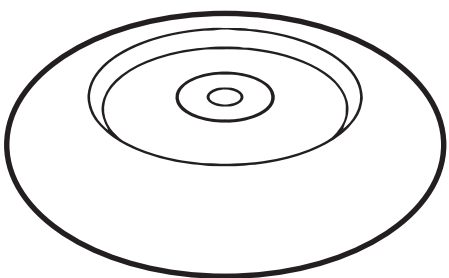
WALL PANEL

X6*



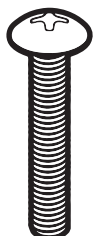
Door

X1



WHEELS

X7



5/16 X 2"

X7



5/16"

X7



5/16 X 5/8"

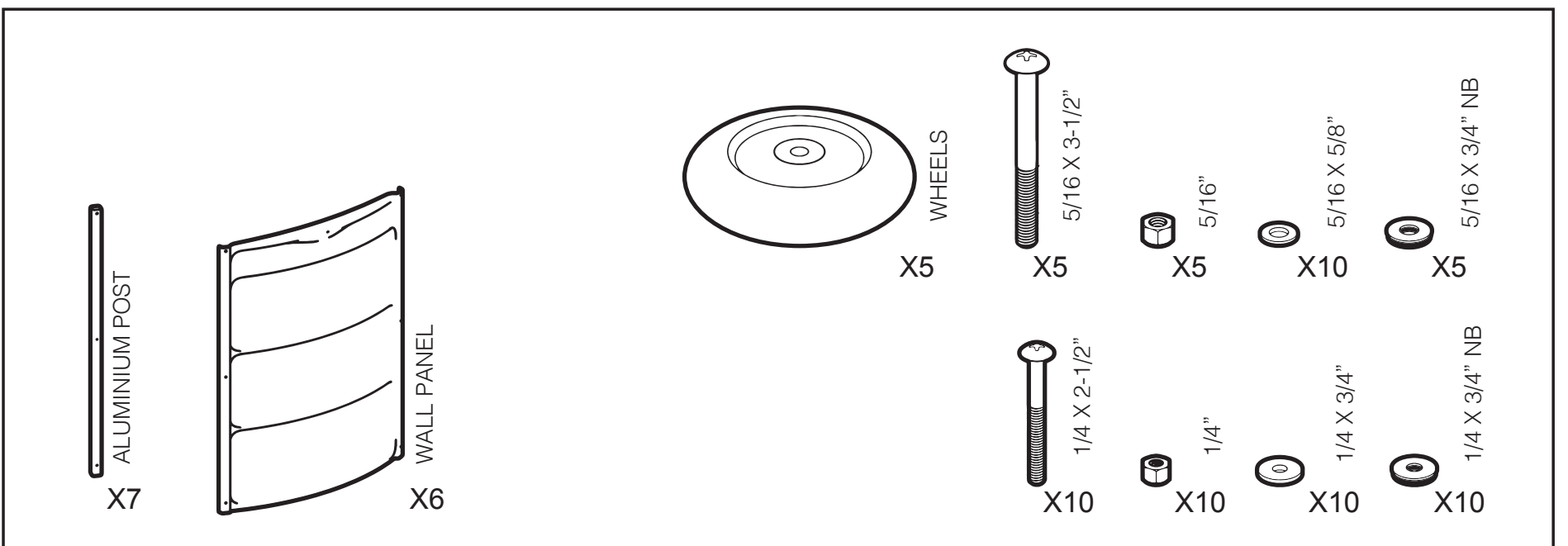
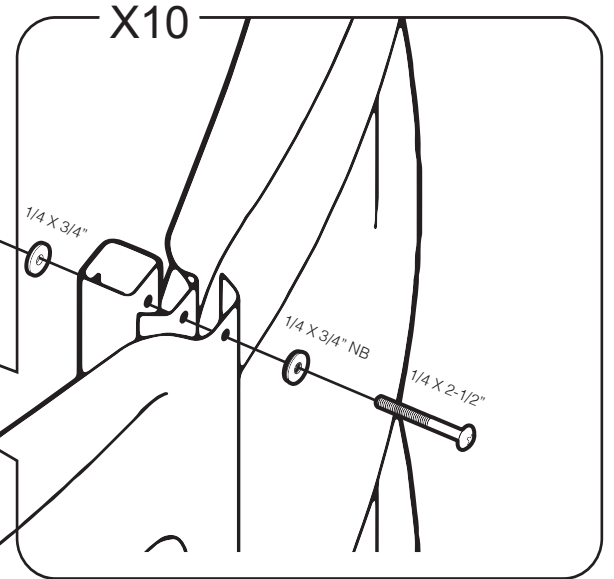
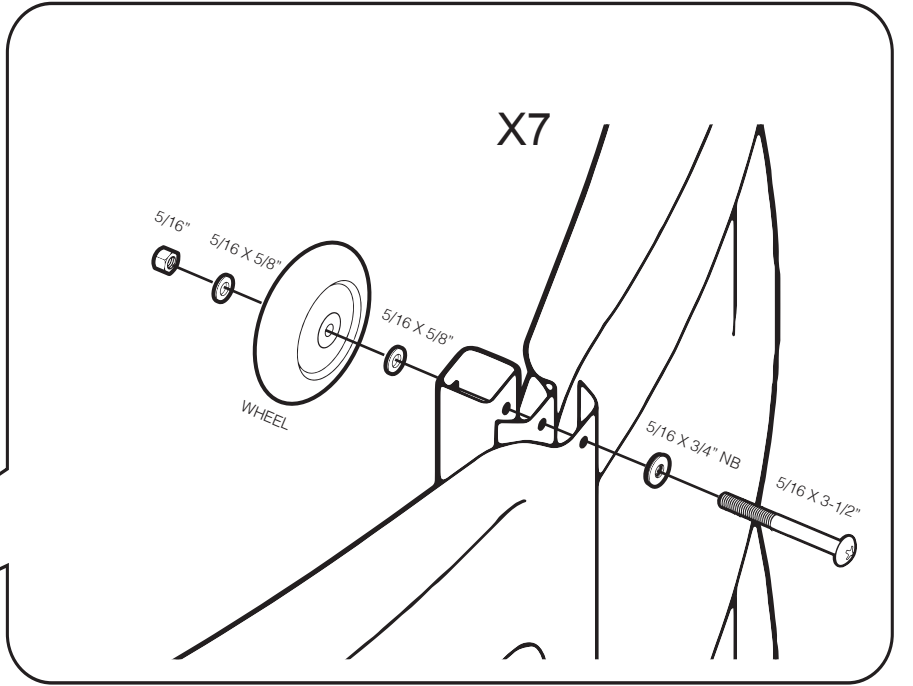
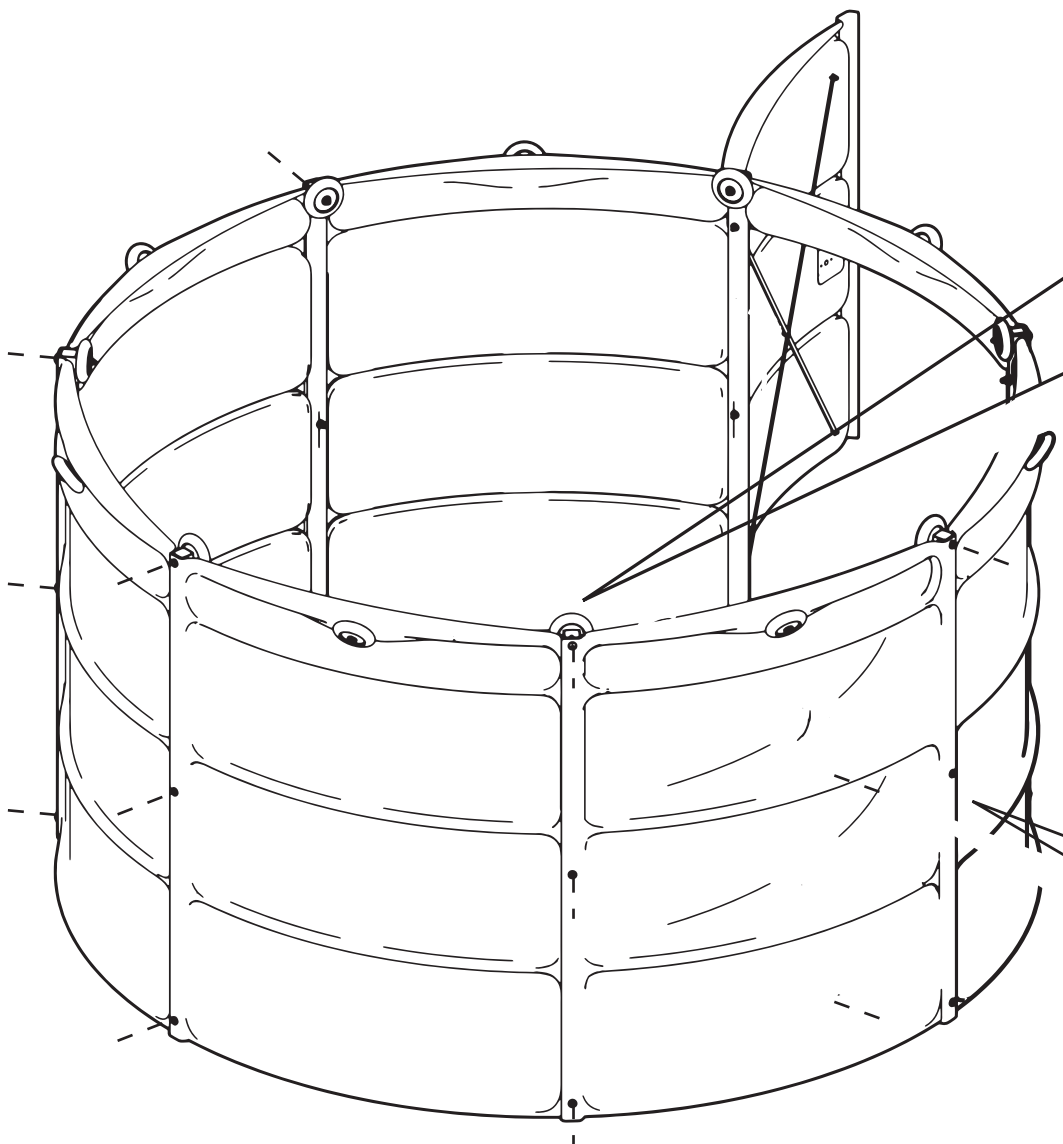
X14



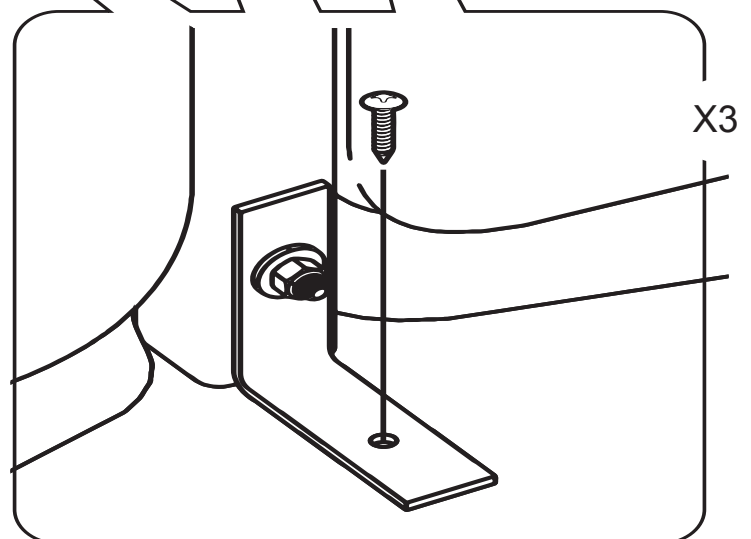
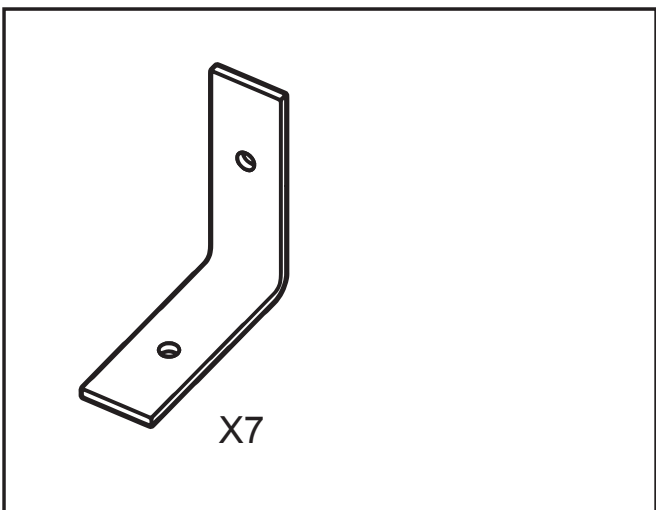
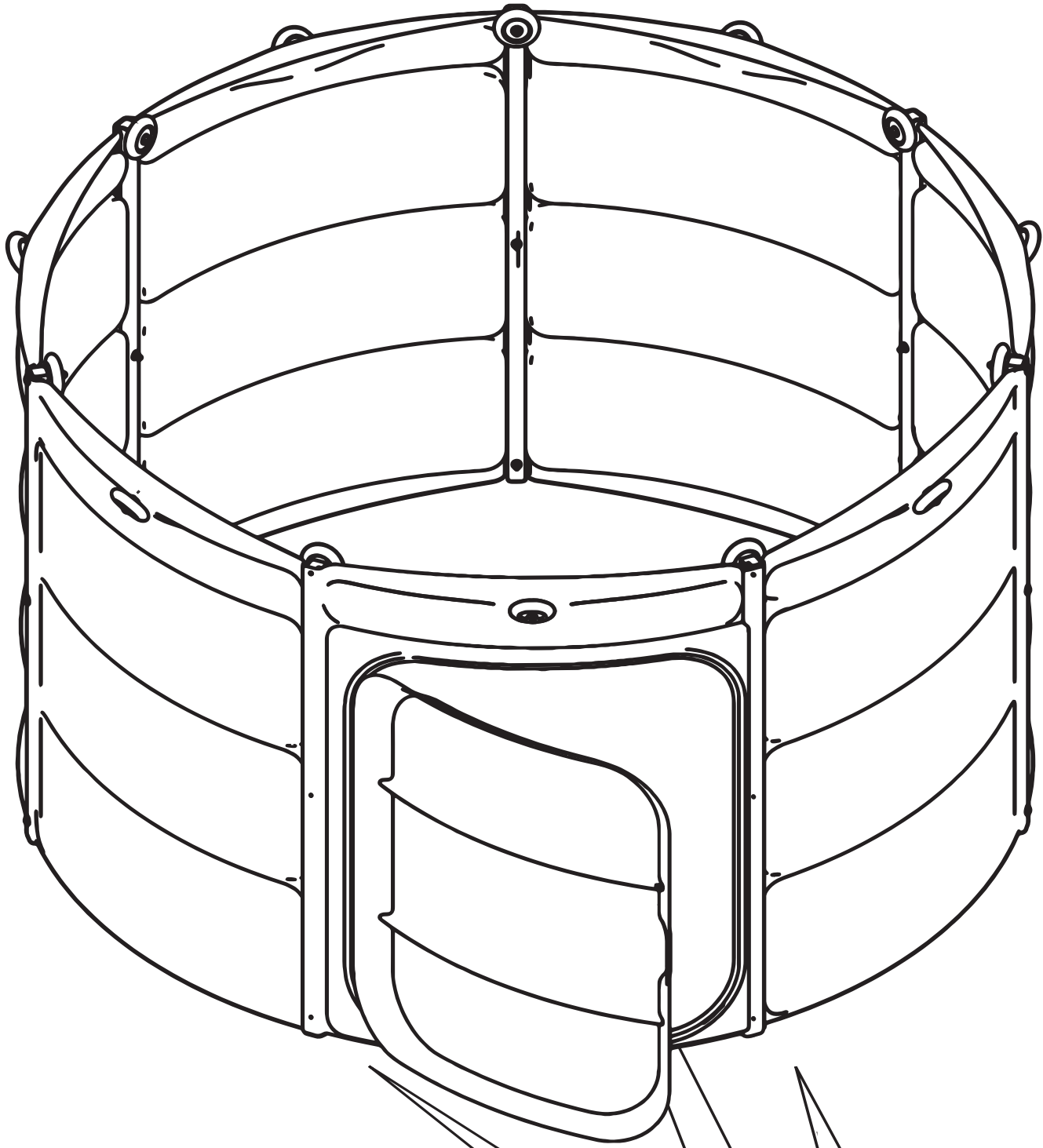
5/16 X 3/4" NB

X7

3



4



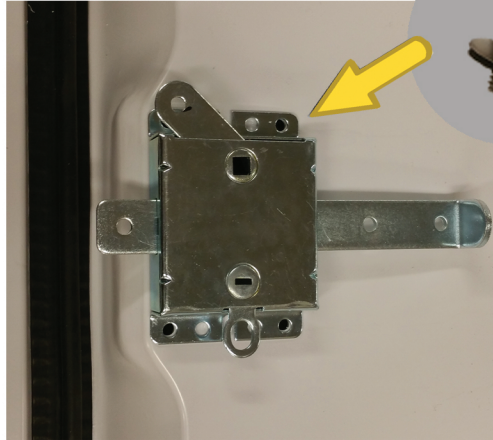
Door Hardware Assembly



1



2



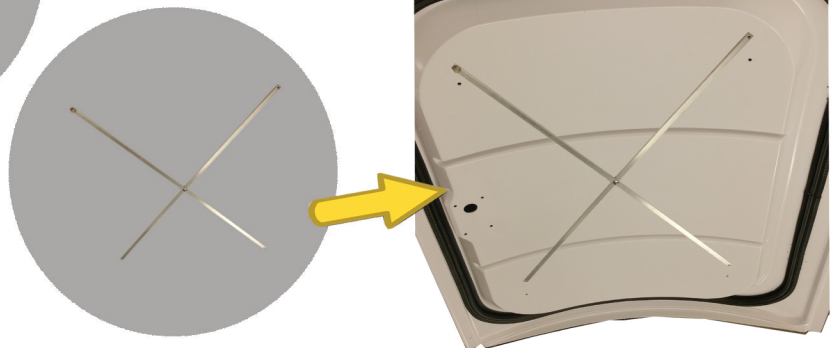
3



4



5





WWW.NEXDOME.COM